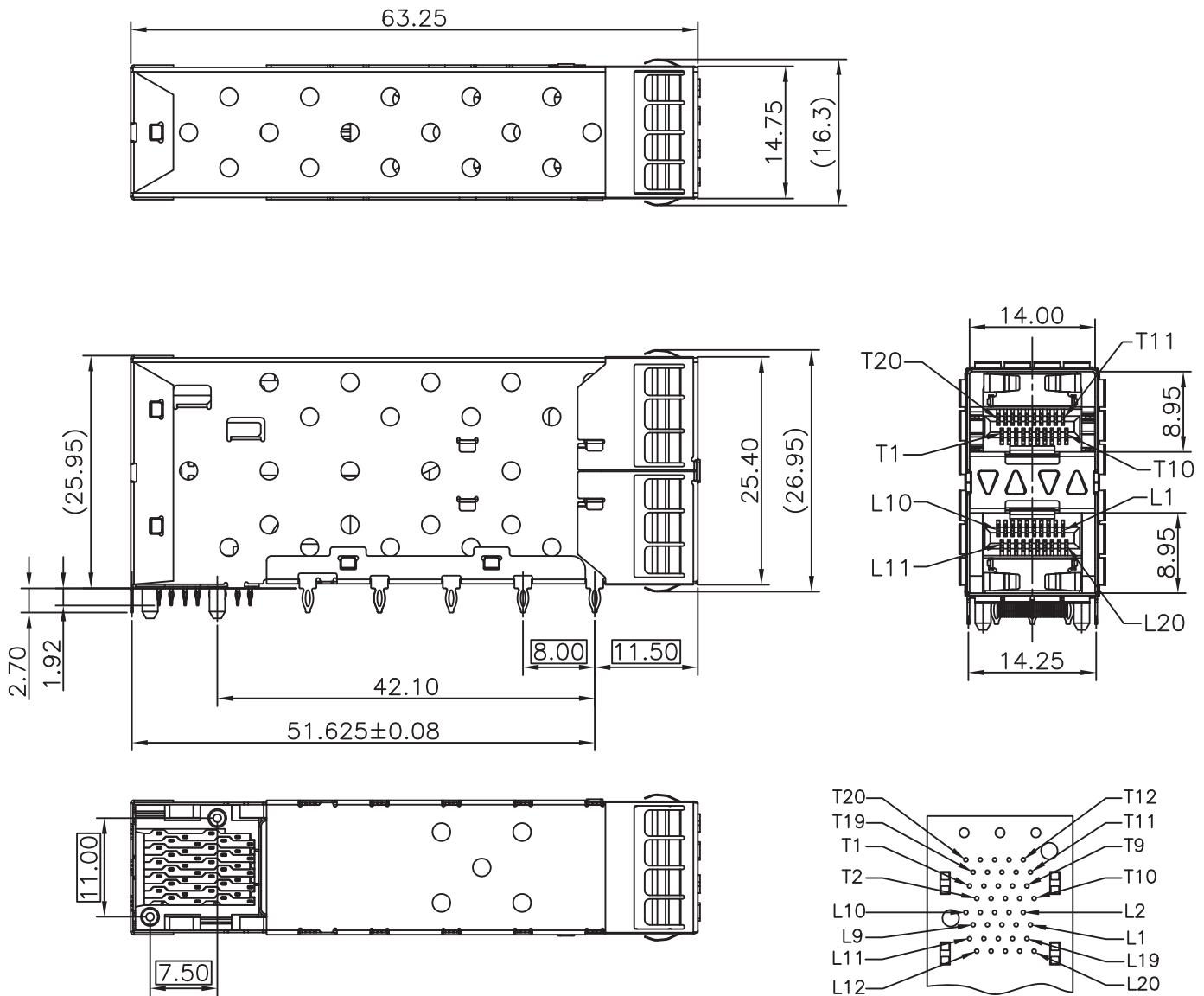


SCHEMATICS



NOTES:
 MATERIAL:
 CAGE: COPPER ALLOY
 CONNECTOR:
 PLASTIC HOUSING: HIGH TEMPERATURE LCP, UL94 V-0.
 LIGHT PIPE: POLYCARBONATE; COLOR: CLEAR
 SPRING: STAINLESS STEEL
 CONTACTS: PHOSPHOR BRONZE
 CONTACT PLATING: 30u" MIN. GOLD ON MATING AREA,
 150u" MATTE TIN ON SOLDER TAILS
 PACKAGING: TRAY PACKAGING.
 TEMPERATURE RANGE: -40°C TO +85°C

CONNECTOR PIN-OUT
 COMPONENT SIDE OF BOARD



Drafted by: ZhangXuan

Dimensions: mm
 Unless otherwise specified, all tolerances are ± 0.25

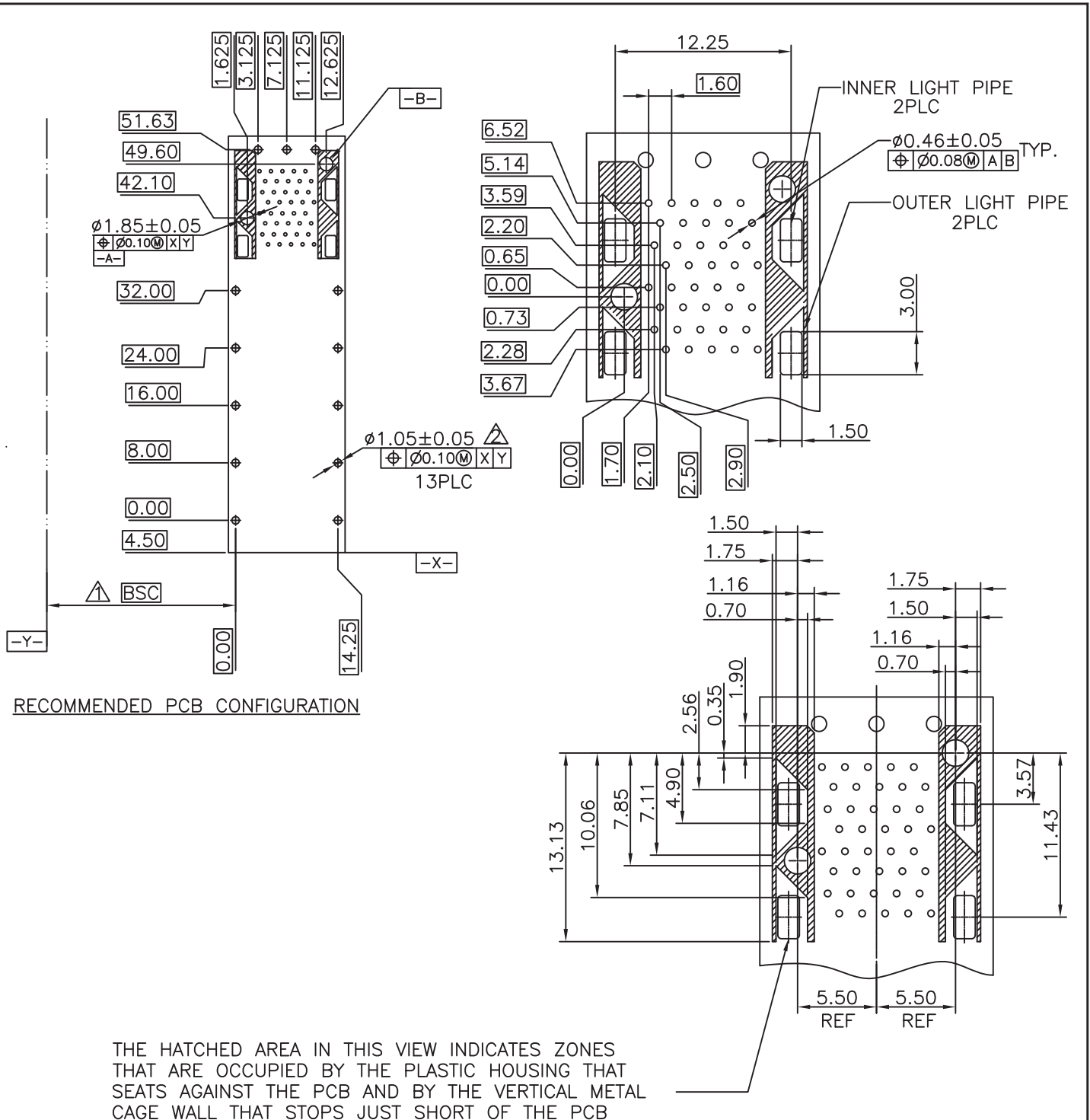
SFP+Cage 2x1 + Connector

Approved By: TSLEE

Part No: SFPP021PB30


REV.
 A

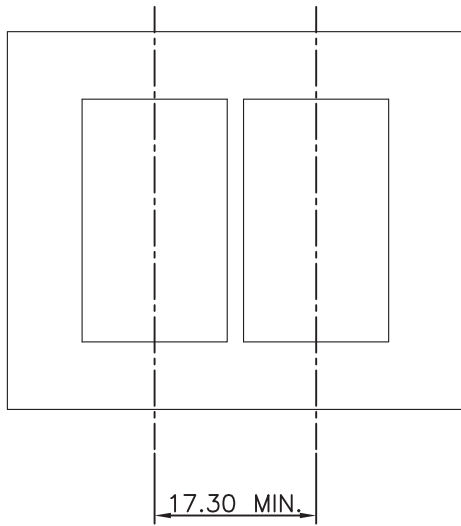
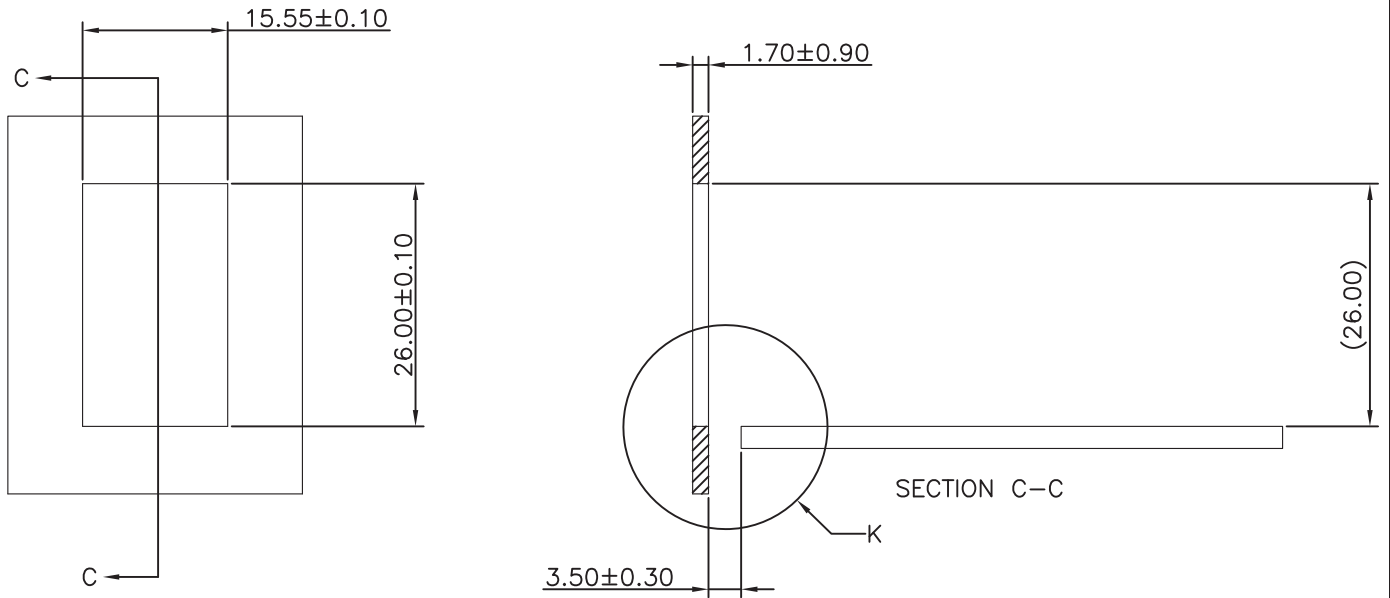
SHEET 1 OF 4



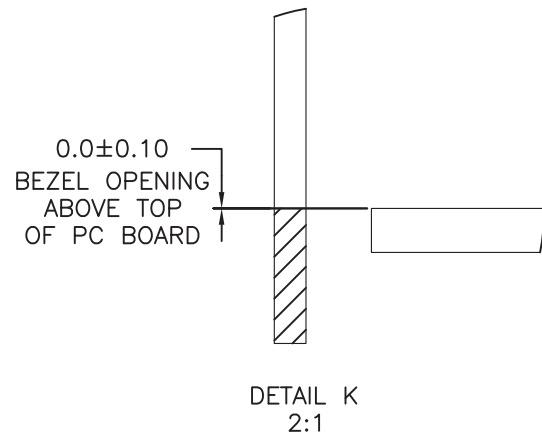
NOTES:

1. DATUM AND BASIC DIMENSIONS ESTABLISHED BY CUSTOMER.
2. 1.05 mm DIAMETER HOLES ARE CHASSIS GROUND .

 <p>Drafted by:ZhangXuan</p>	<p>Dimensions:mm</p> <p>Unless otherwise specified, all tolerances are ± 0,25</p>	<p>Approved By: TSLEE</p>	
	<p>SFP+Cage 2x1 + Connector</p>	<p>Part No:SFP021PB30</p>	<p>REV. A</p>
			<p>SHEET 2 OF 4</p>



RECOMMENDED BEZEL DESIGN



Drafted by: ZhangXuan

Dimensions:mm

Unless otherwise specified, all tolerances are $\pm 0,25$

SFP+Cage 2x1 + Connector

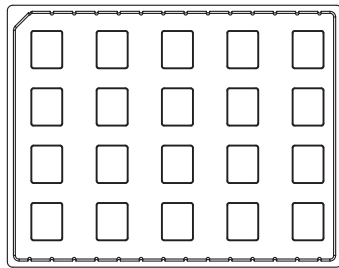
Approved By: TSLEE

Part No:SFPP021PB30

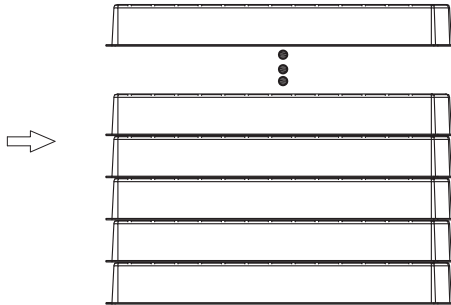
REV.
A

SHEET 3 OF 4

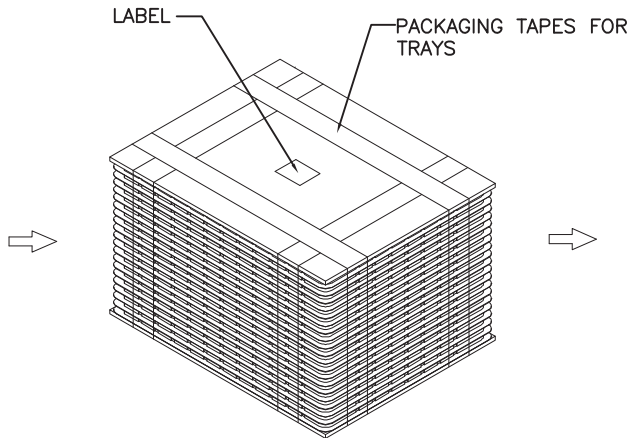
PACKAGE INFORMATION AND LABEL



1. PRODUCTS IN TRAYS

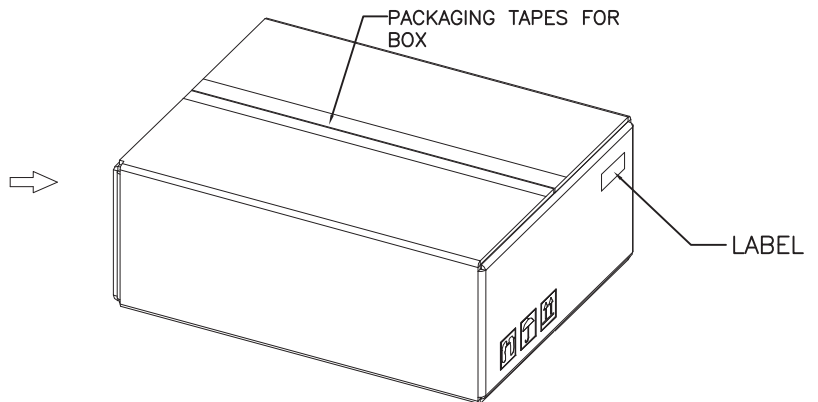


2. TRAYS OVERLAY:
(THE NEXT TRAY NEED ROTATE 180 DEGREE AND PUT IT ON PREVIOUS TRAY.)
(相邻两个吸塑间水平方向成180度摆放)



3. LABEL & PACKAGING TAPES FOR TRAYS:

PACKAGING LISTS	
ITEM	Q'TY
PRODUCT	120 PCS
TRAY	6 PCS
BOX(L340*W265*H200MM)	1 PCS
LABLE	2 PCS
PACKAGING TAPES	8 M (ABOUT)



4. LABEL & PACKAGING TAPES FOR BOX

Drafted by:ZhangXuan

Dimensions:mm
Unless otherwise specified, all tolerances are $\pm 0,25$

SFP+Cage 2x1 + Connector

Approved By: TSLEE

Part No:SFPP021PB30

REV. A

SHEET 4 OF 4