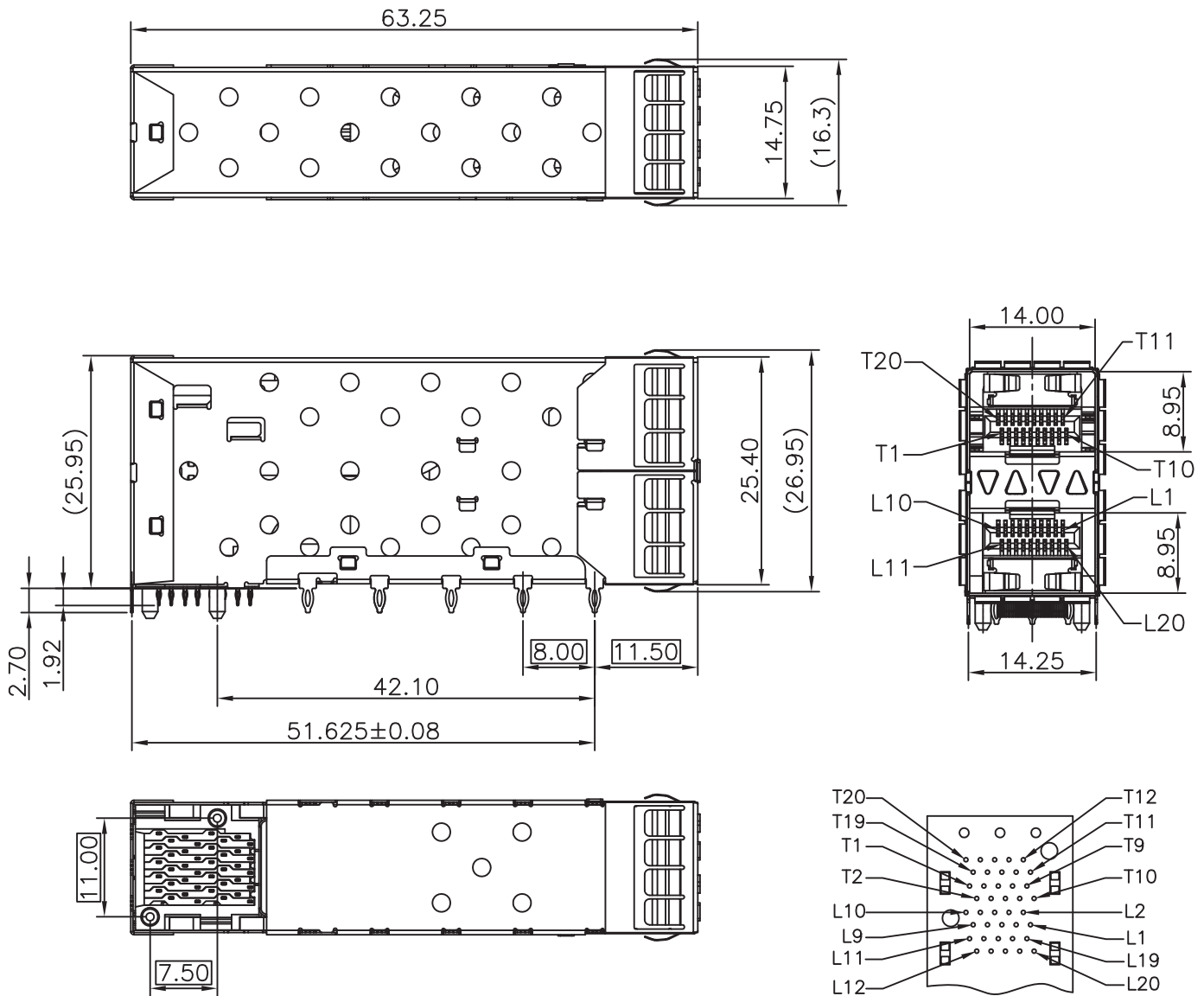


# SCHEMATICS



NOTES:  
 MATERIAL:  
 CAGE: COPPER ALLOY  
 CONNECTOR:  
 PLASTIC HOUSING: HIGH TEMPERATURE LCP, UL94 V-0.  
 LIGHT PIPE: POLYCARBONATE; COLOR: CLEAR  
 SPRING: STAINLESS STEEL  
 CONTACTS: PHOSPHOR BRONZE  
 CONTACT PLATING: 30u" MIN. GOLD ON MATING AREA,  
 150u" MATTE TIN ON SOLDER TAILS  
 PACKAGING: TRAY PACKAGING.  
 TEMPERATURE RANGE: -40°C TO +85°C

CONNECTOR PIN-OUT  
 COMPONENT SIDE OF BOARD



Drafted by: ZhangXuan

Dimensions: mm  
 Unless otherwise specified, all tolerances are  $\pm 0.25$

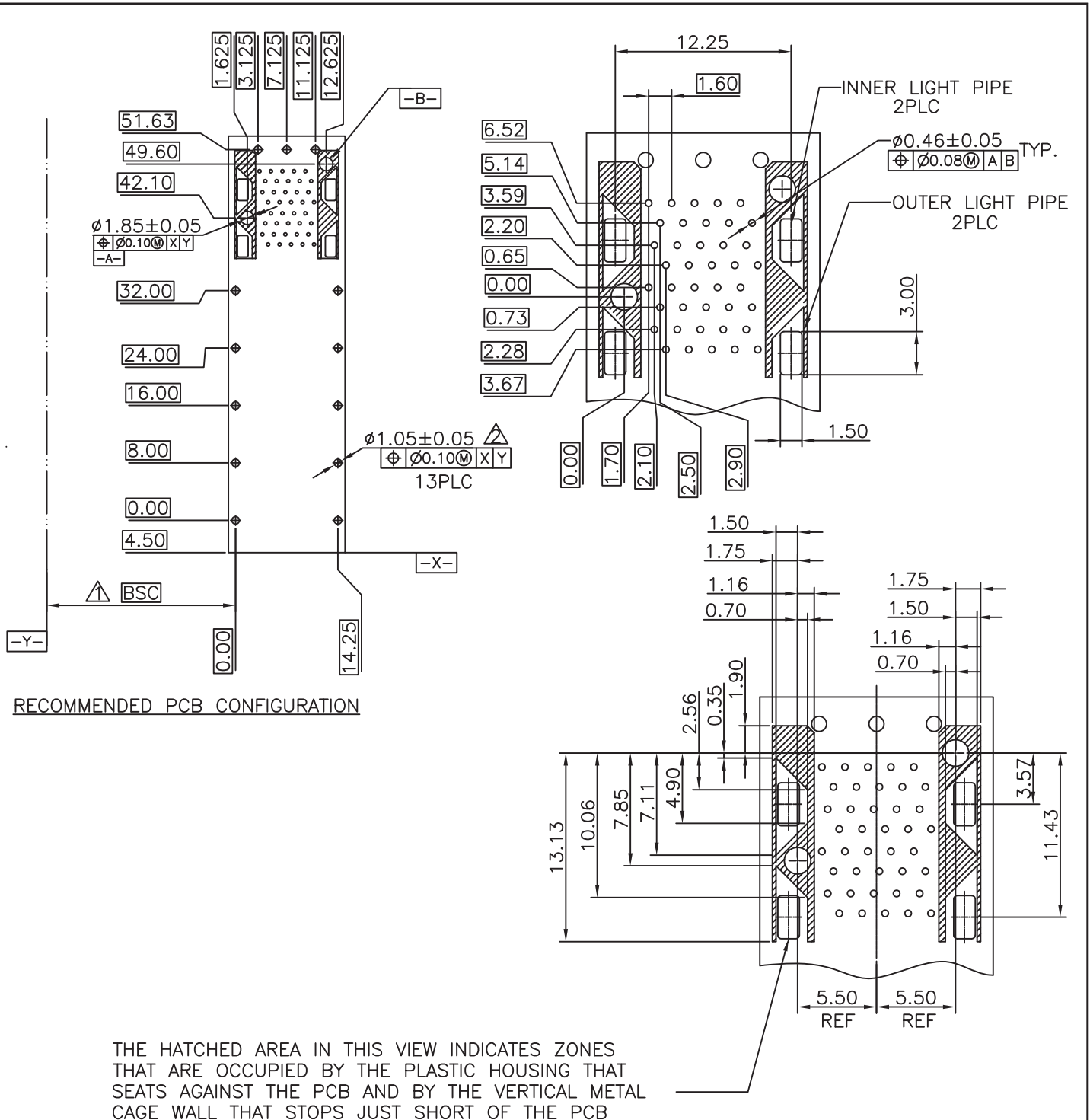
SFP+Cage 2x1 + Connector

Approved By: TSLEE

Part No: SFPP021PC30


REV.  
 A

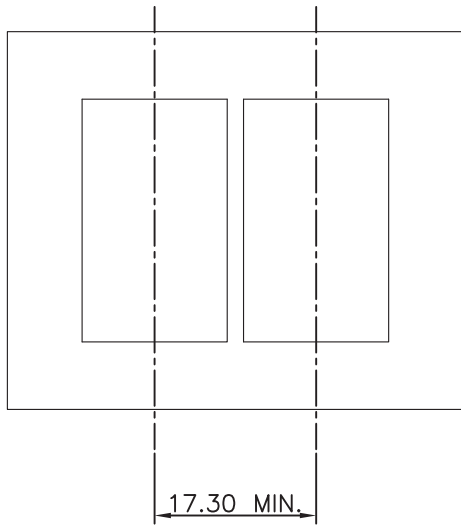
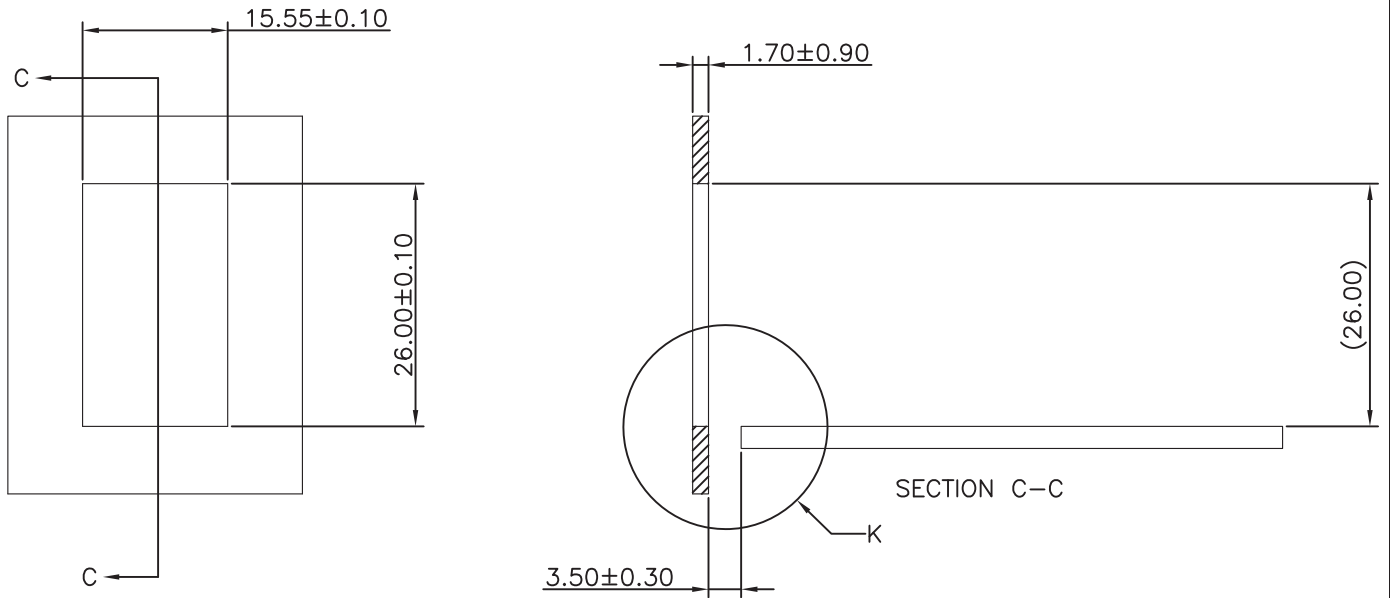
SHEET 1 OF 4



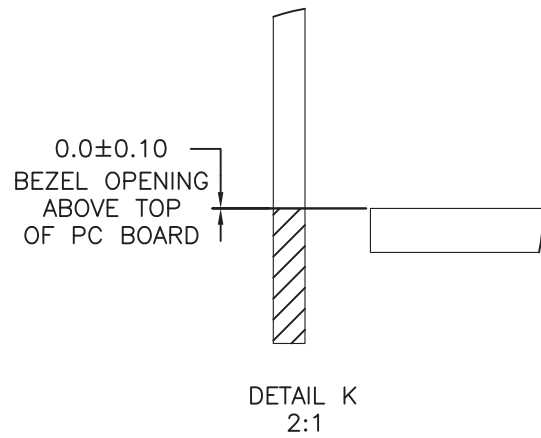
NOTES:

1. DATUM AND BASIC DIMENSIONS ESTABLISHED BY CUSTOMER.
2. 1.05 mm DIAMETER HOLES ARE CHASSIS GROUND .

	Dimensions:mm Unless otherwise specified, all tolerances are ± 0,25	Approved By: TSLEE	
	SFP+Cage 2x1 + Connector	Part No:SFP021PC30	REV. A
Drafted by:ZhangXuan	SHEET 2 OF 4		



RECOMMENDED BEZEL DESIGN



Drafted by: ZhangXuan

Dimensions:mm

Unless otherwise specified, all tolerances are  $\pm 0,25$

SFP+Cage 2x1 + Connector

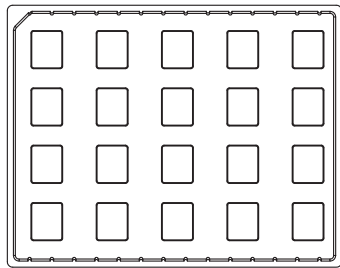
Approved By: TSLEE

Part No:SFPP021PC30

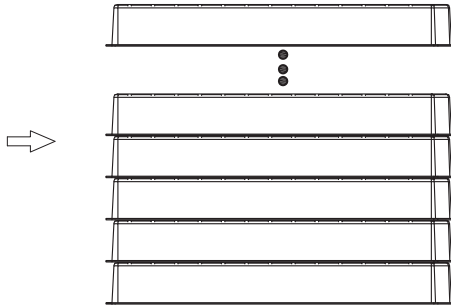
REV.  
A

SHEET 3 OF 4

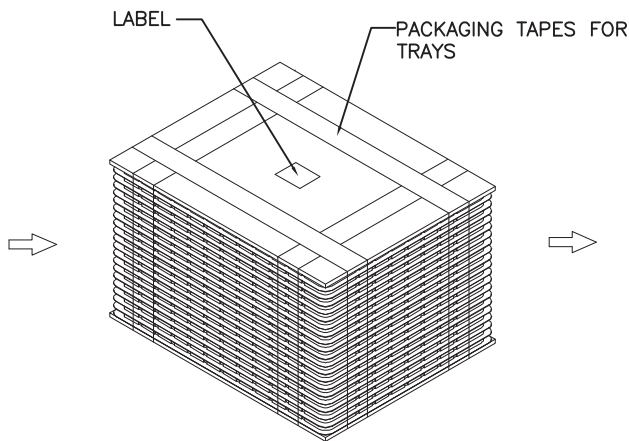
# PACKAGE INFORMATION AND LABEL



1. PRODUCTS IN TRAYS

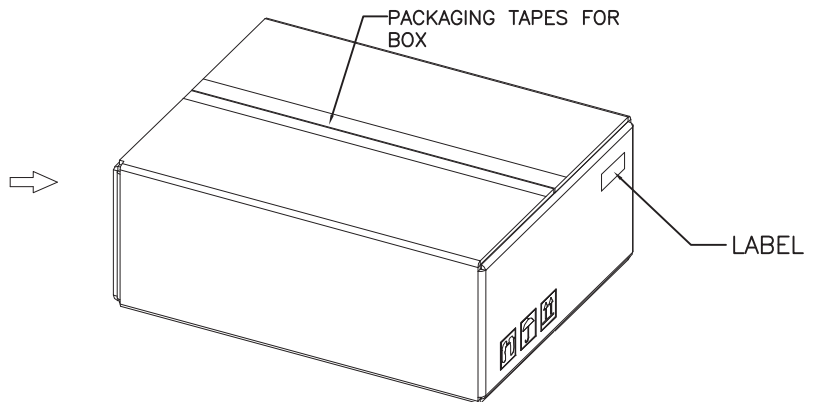


2. TRAYS OVERLAY:  
(THE NEXT TRAY NEED ROTATE 180 DEGREE AND PUT IT ON PREVIOUS TRAY.)  
(相邻两个吸塑间水平方向成180度摆放)



3. LABEL & PACKAGING TAPES FOR TRAYS:

PACKAGING LISTS	
ITEM	Q'TY
PRODUCT	120 PCS
TRAY	6 PCS
BOX(L340*W265*H200MM)	1 PCS
LABLE	2 PCS
PACKAGING TAPES	8 M (ABOUT)



4. LABEL & PACKAGING TAPES FOR BOX

**Ceptor** LABS  
Technology & Value

Drafted by:ZhangXuan

Dimensions:mm  
Unless otherwise specified, all tolerances are  $\pm 0,25$

SFP+Cage 2x1 + Connector

Approved By: TSLEE

Part No: SFPP021PC30

REV. A

SHEET 4 OF 4