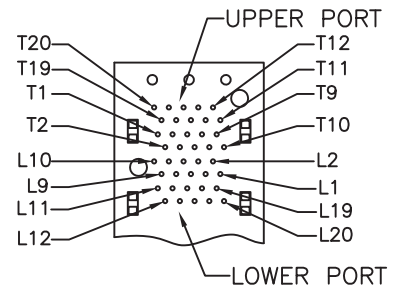
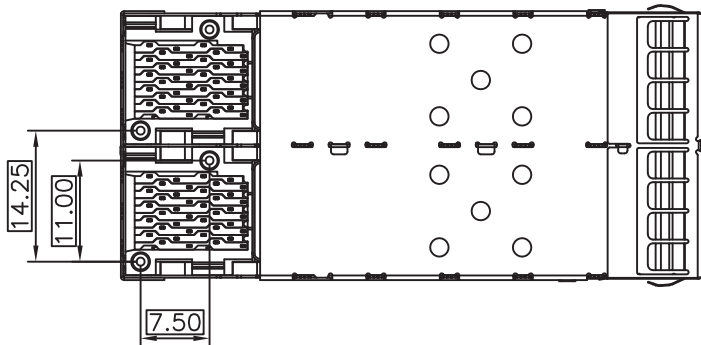
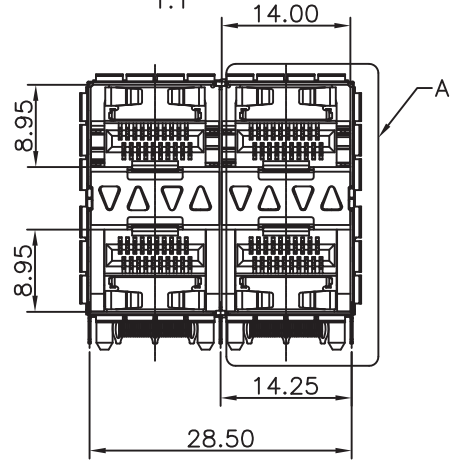
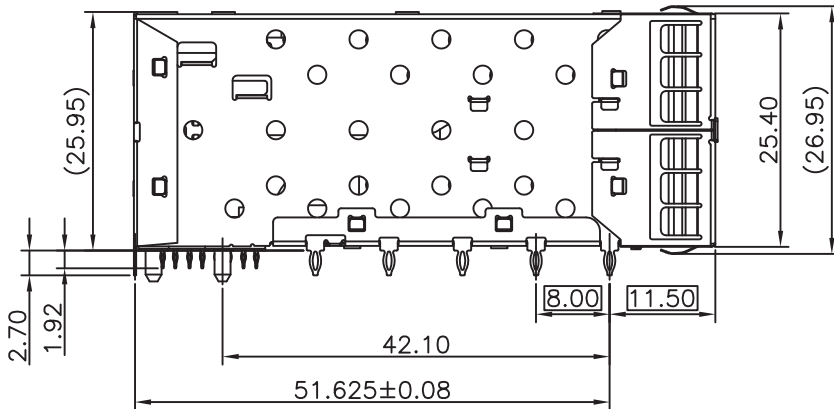


DETAIL A
1:1



CONNECTOR PIN-OUT
COMPONENT SIDE OF BOARD

NOTES:
 MATERIAL:
 CAGE: COPPER ALLOY
 CONNECTOR:
 PLASTIC HOUSING: HIGH TEMPERATURE LCP, UL94 V-0.
 LIGHT PIPE: POLYCARBONATE; COLOR: CLEAR
 SPRING: STAINLESS STEEL
 CONTACTS: PHOSPHOR BRONZE
 CONTACT PLATING: 30u" MIN. GOLD ON MATING AREA,
 150u" MATTE TIN ON SOLDER TAILS
 PACKAGING: TRAY PACKAGING.
 TEMPERATURE RANGE: -40°C TO +85°C



Drafted by: ZhangXuan

Dimensions: mm
 Unless otherwise specified, all tolerances are ± 0,25

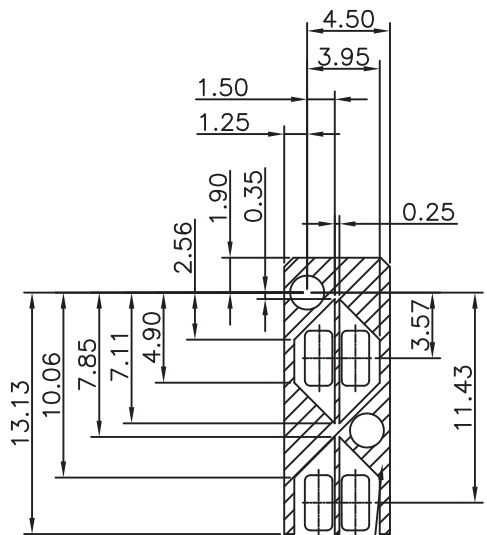
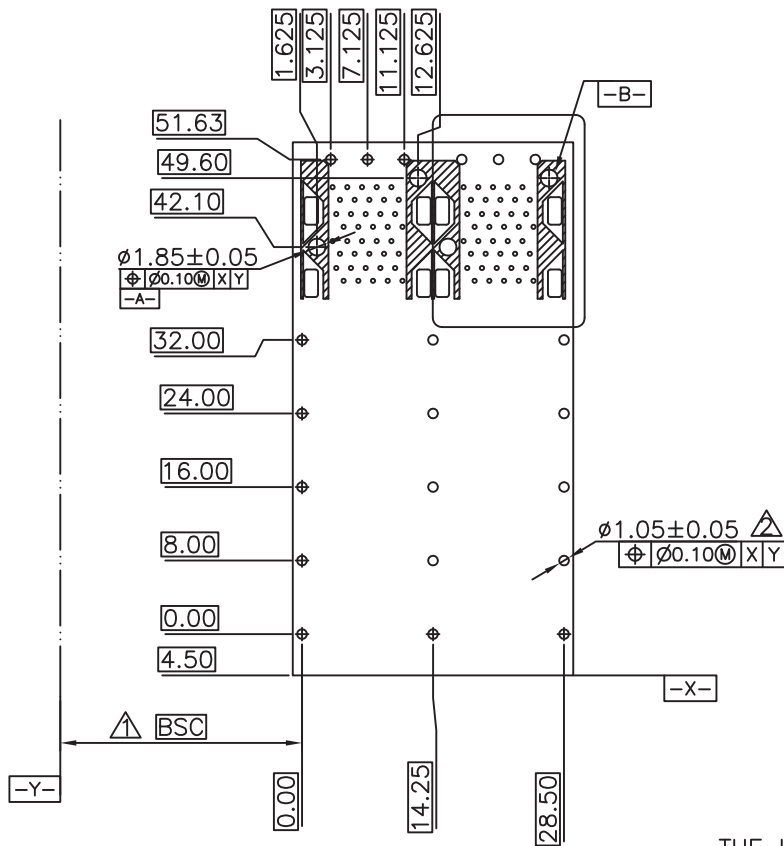
SFP+ Cage 2x2 + Connector

Approved By: TSLEE

Part No: SFPP022PB30

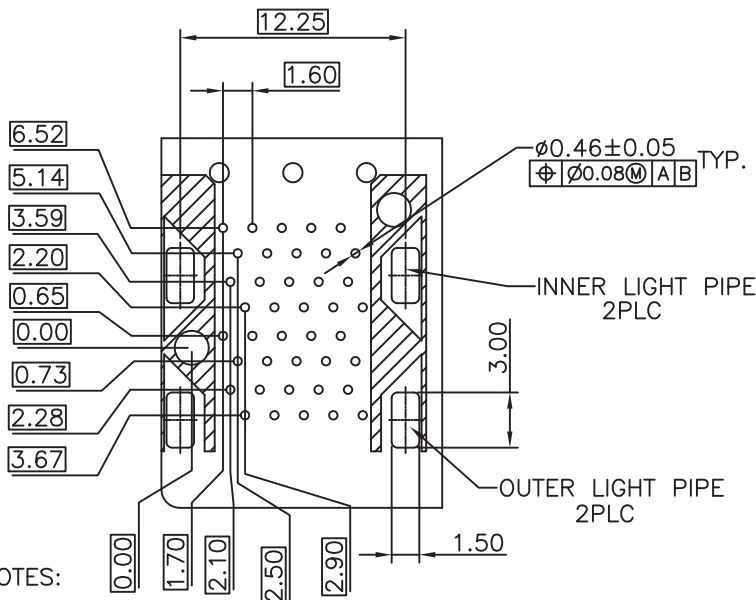
REV.
A

SHEET 1 OF 3



THE HATCHED AREA IN THIS VIEW INDICATES ZONES THAT ARE OCCUPIED BY THE PLASTIC HOUSING THAT SEATS AGAINST THE PCB AND BY THE VERTICAL METAL CAGE WALL THAT STOPS JUST SHORT OF THE PCB

RECOMMENDED PCB CONFIGURATION



NOTES:

1. DATUM AND BASIC DIMENSIONS ESTABLISHED BY CUSTOMER.
2. 1.05 mm DIAMETER HOLES ARE CHASSIS GROUND.



Drafted by: ZhangXuan

Dimensions:mm
Unless otherwise specified, all tolerances are ± 0,25

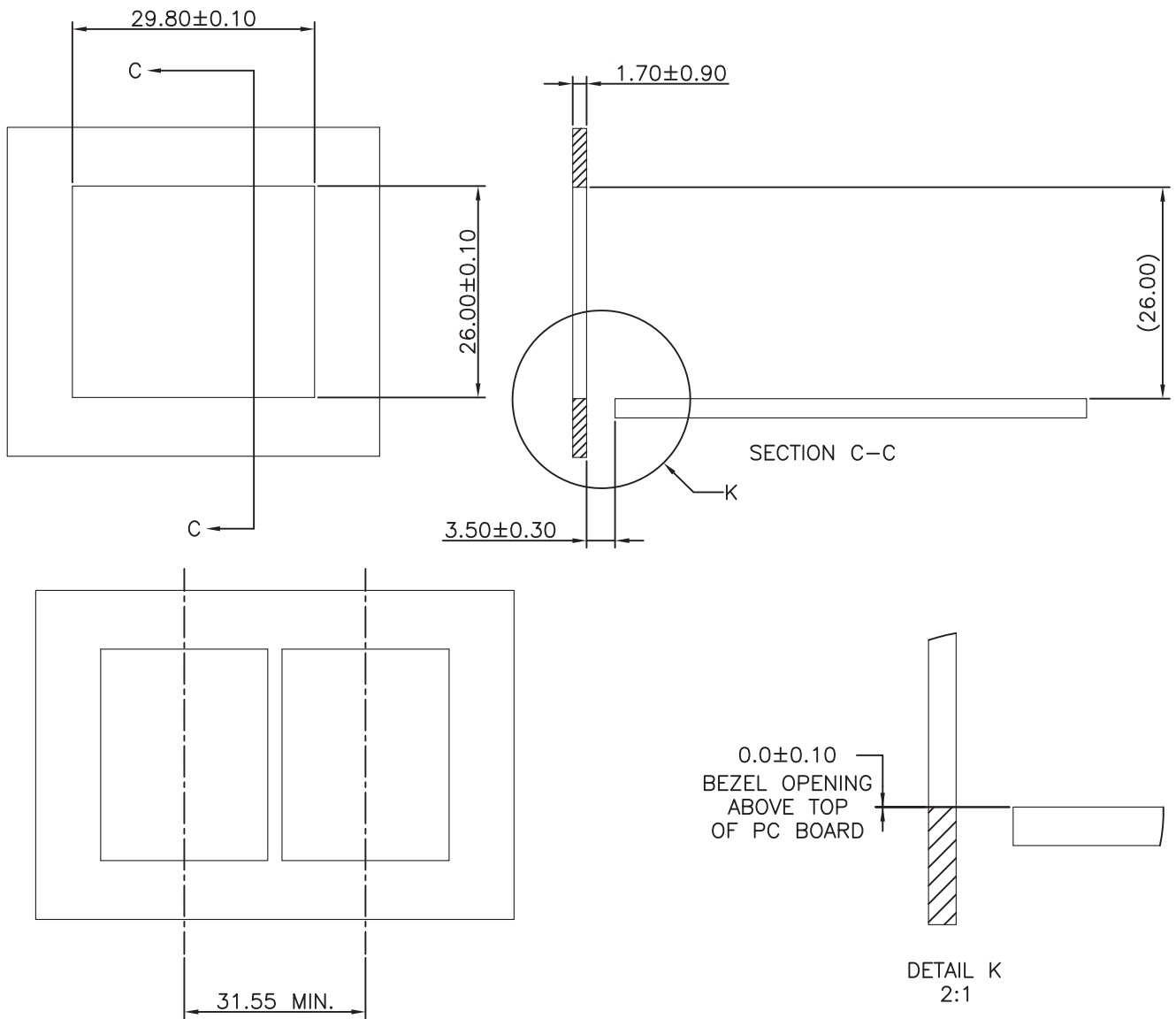
SFP+ Cage 2x2 + Connector

Approved By: TSLEE

Part No: SFPP022PB30

REV.
A

SHEET 2 OF 3



Drafted by: ZhangXuan

Dimensions:mm

Unless otherwise specified, all tolerances are $\pm 0,25$

SFP+ Cage 2x2 + Connector

Approved By: TSLEE

Part No: SFPP022PB15

REV.
A

SHEET 3 OF 3