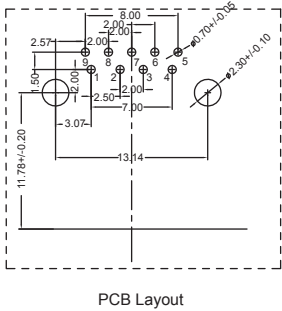
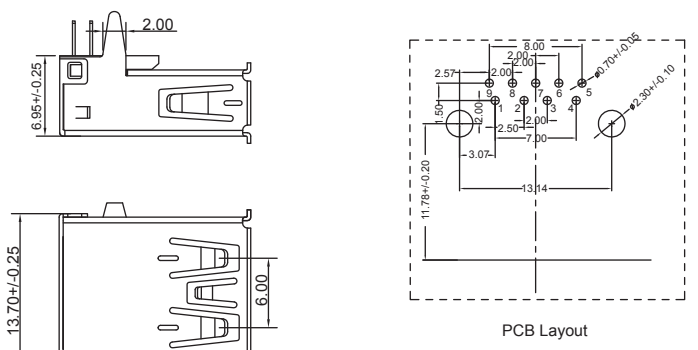
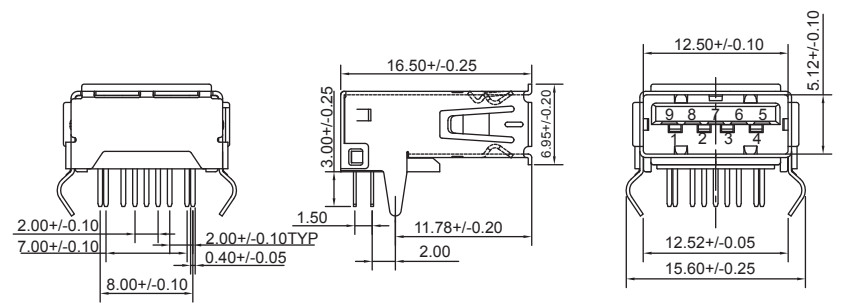


A  
B  
C  
D  
E  
F  
G  
H  
I  
J  
K  
L  
M

A  
B  
C  
D  
E  
F  
G  
H  
I  
J  
K  
L  
M



PCB Layout



USB TYPE A PINOUT	
PIN	Signal Name
1	VBUS
2	D-
3	D+
4	GND
5	StdA_SSRX-
6	StdA_SSRX+
7	GND_DRAIN
8	StdA_SSTX-
9	StdA_SSTX+
Shell	Shield

**SPECIFICATIONS**

**Contact current Rating**  
 1.8 Amperes for pin 1 & pin4  
 0.25 Amperes other contacts

**Dielectric Withstanding Voltage:** AC 100V(RMS)  
**Insulation resistance:** 100megohms Minimum

**Contact Resistance**  
 30mohm Max for pin1 & pin4  
 50mohm max for other contacts

**Mechanical Characteristics:**  
 Mating Force: 35 Newtoms Maximum  
 Unmating Force: 10 Newtoms Minimum  
 8N Min After Durability

**MATERIAL:**  
 Housing: PBT+30%GF 94v-0 COLOR: BLUE  
 Contact: copper alloy( T=0.25mm)  
 Shell: Brass

**PLATING:**  
 Contact: Fu Gold Plated on contact area  
 Tin Plated on solder area  
 Nickel underplating over all

Shell: Nickel Plated  
 Operating Temperature: -55°C to +85°C

PART NO.: PUBS-9PS-02-GF	
APPROVED BY: TSLee	
REV.: A	UNIT: mm
DRAFTED BY: XiaoMing	DATE: 2018.1.17

REV.:	CONTENTS	DATE
A	NEW	2018.1.17

REVISION HISTORY

