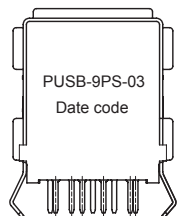
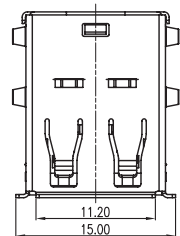


1 2 3 4 5 6 7 8 9 10 11 12 13 14 15 16 17 18 19

A  
B  
C  
D  
E  
F  
G  
H  
I  
J  
K  
L  
M



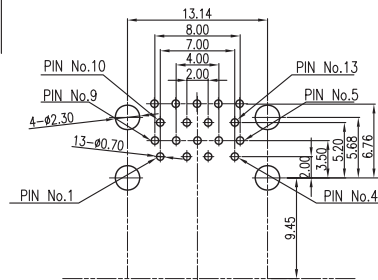
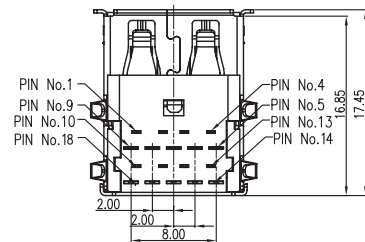
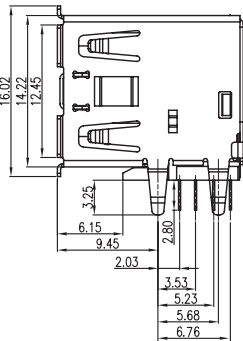
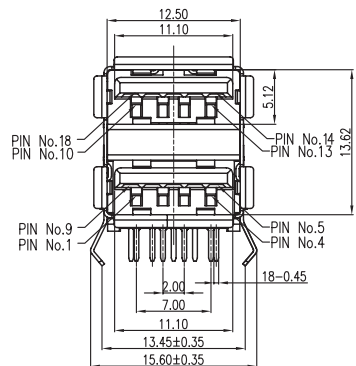
**MATERIAL:**

HOUSING(UPPER): PBT+30%G.F  
 HOUSING COLOR(UPPER): BLACK  
 HOUSING(LOWER): PBT+30%G.F  
 HOUSING COLOR(LOWER): BLUE  
 TERMINAL: 4PIN: PHOSPHOR BRONZE  
 5PIN: BRASS  
 TERMINAL PLATING: GOLD FLASH IN CONTACT AREA,  
 80u" min Sn IN SOLDER TAIL AREA, BOTH  
 OVER 30u" min Ni UNDER PLATED  
 OVERALL

SHELL: SUS304  
 SHELL PLATING: Ni PLATED  
 BACK SHELL: SPCC  
 BACK SHELL PLATING: Ni PLATED

**SPECIFICATIONS:**

- ELECTICAL:**  
 CONTACT RESISTANCE : 30 milliohm MAX.  
 DIELECTRIC WITHSTANDING VOLTAGE: 500V AC AT SEA LEVEL  
 INSULATION RESISTANCE: 1000 Megohms MIN.
- MECHANICAL:**  
 MATING FORCE: 3.57KG MAX.  
 UNMATING FORCE: 1.02KG MIN.



RECOMMENDED P.C. BOARD HOLE LAYOUT

REV.	CONTENTS	DATE	BASIS OF CHANGE
A	NEW	2018,9,19	

**REVISION HISTORY**

<b>PART NO.:</b> PUSB-9PS-03-GF	
APPROVED BY : TSLee	
REV.: A	UNIT: mm
DRAFTED BY : PCLi	DATE: 2016,9,19



1 2 3 4 5 6 7 8 9 10 11 12 13 14 15 16 17 18 19