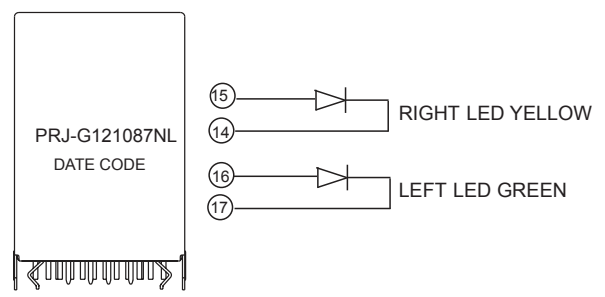
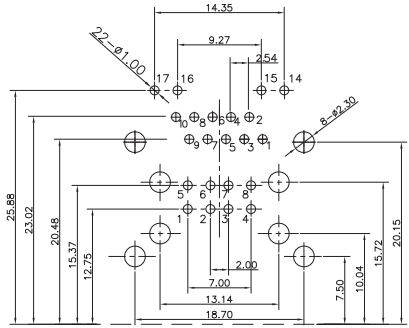
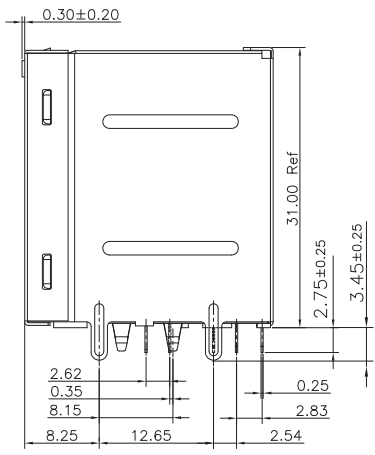
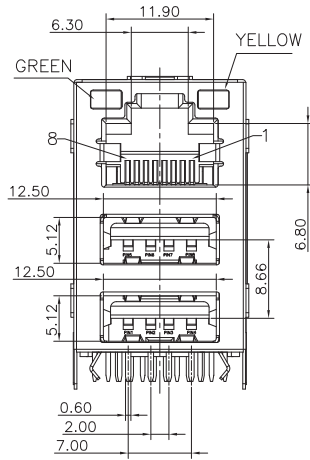


Mechanical



SUGGESTED PCB LAYOUT
(COMPONENT SIDE VIEW)
Unit:mm
tolerance:..x +/-0.30,..xx+/-0.25

ELECTRICAL SPECIFICATIONS @ 25°C UNLESS OTHERWISE NOTED:

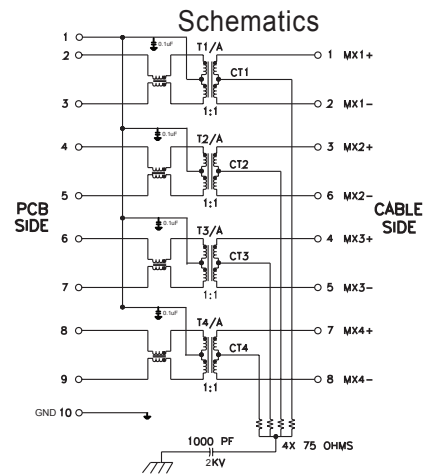
- Insertion Loss: 1-100MHZ -1.0dB MAX
- Return Loss: 1-10MHZ -20.0dB MIN
- 10-30MHZ -16.0dB MIN
- 30-60MHZ -12.0dB MIN
- 60-80MHZ -10.0dB MIN
- Crosstalk: 10-30MHZ -40.0dB MIN
- 30-60MHZ -35.0dB MIN
- 60-100MHZ -30.0dB MIN
- Common Mode Rejection: 1-125MHZ -30.0dB MIN
- 125-500MHZ -20.0dB MIN
- Hipot:1500VAC 6S 1mA
- OCL:350uH MIN @ 100KHZ 100mV 8mA DC
- USB 2.0

MECHANICAL

1. Housing & insert material : PBT 94V-0
2. Contact material : 0.35mm phosor bronze 6u gold plating over nickel
3. Shield : 0.20 ~ 0.25mm thickness stainless steel.
4. Mating/unmating force : 2.2kg. F MAX.
5. Retention strength : 7.7kg. F MIN between jack and plug.
6. Operating life : 600 cycle MIN.
7. Jack cavity conforms with fcc part 68 subpart F (connector).

ENVIRONMENTAL:

1. Storage : -40°C ~+85°C Relative humidity<70%.
2. Operating : -40°C ~+85°C



Dimensions:mm
Unless otherwise specified, all tolerances are± 0,25

1000 BASE WITH DUAL USB 2.0
1X1 Tab-Up RJ45

Approved By: TSLee

Part No: WRJ-G121202NL

REV.
A

Drafted by:HQLiu

SHEET 1 OF 1