

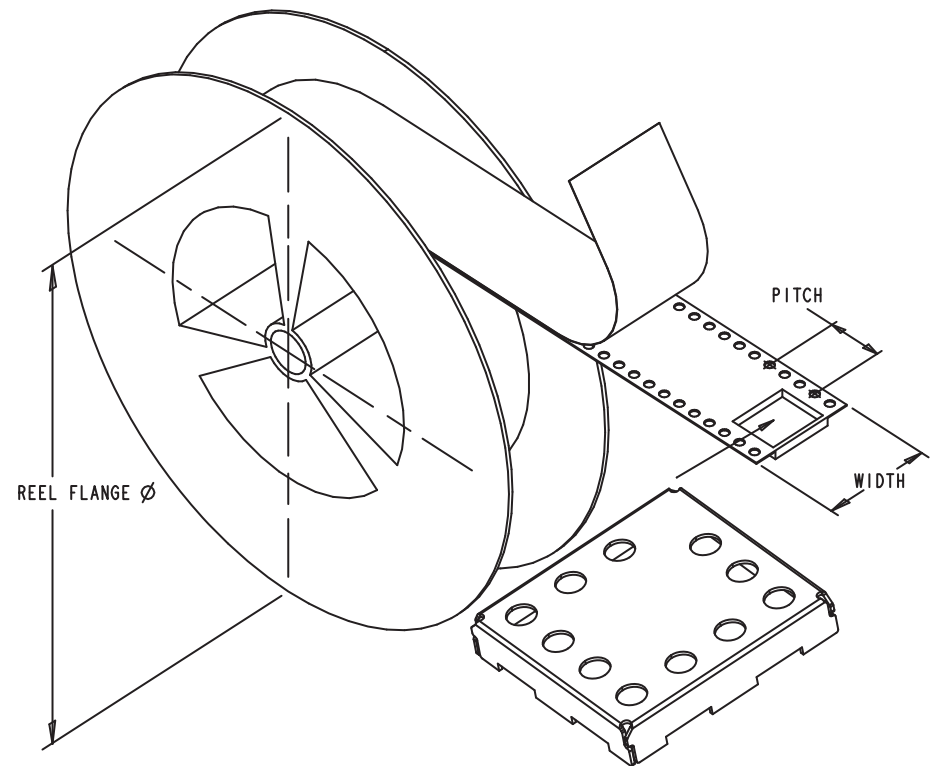
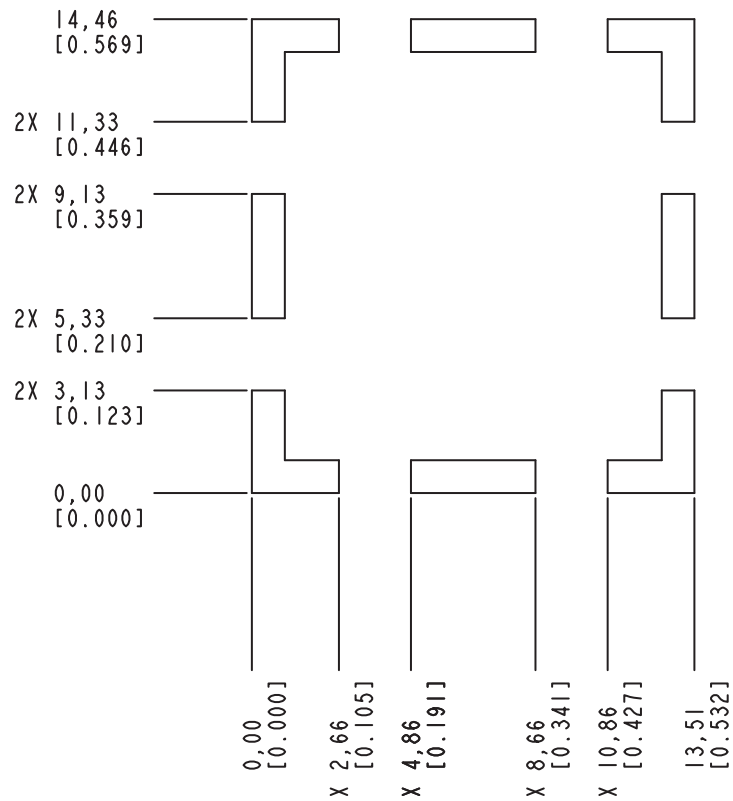
NOTES:

1. MATERIAL SPECIFICATIONS:
 - A. MATERIAL: THICKNESS = 0.20 [0.008] ± 0.02 [0.0008] TYPE: COPPER ALLOY, C7521
2. TOLERANCE/APPEARANCE:
 - A. PARTS SHALL BE FREE OF SHARP EDGES. BURRS SHALL NOT EXCEED 10% OF MATERIAL
 - B. THICKNESS OR 0.15mm WHICHEVER IS LESS REFERENCE DIMENSIONS, SHOWN IN PARANTHESES (DIM), ARE WITHOUT TOLERANCE AND ARE FOR INFORMATION PURPOSES ONLY.
 - C. CRITICAL DIMENSIONS ARE DESIGNATED BY \triangle ALL RADII ARE TO BE R0.25 UNLESS OTHERWISE SPECIFIED.
 - D. PART SHALL BE FREE OF OIL OR GREASE
3. PACKAGING:
 - A. SEE SHEET 2 OF 2

Part No.: SP16-101	
Approved by: TSLee	
REV.: A	UNITS: mm/inch
DRAFTED BY ZhangXuan	Date: 2019.12.17



CARRIER TAPE WIDTH: 24 MM
 CARRIER TAPE PITCH: 20 MM
 REEL DIAMETER: 330 MM
 PARTS PER REEL: 1000



ALL DIMENSIONS ARE IN MILLIMETERS

Part No.: SP16-101	
Approved by: TSLee	
REV.: A	UNITS: mm/inch
DRAFTED BY ZhangXuan	Date: 2019.12.17

