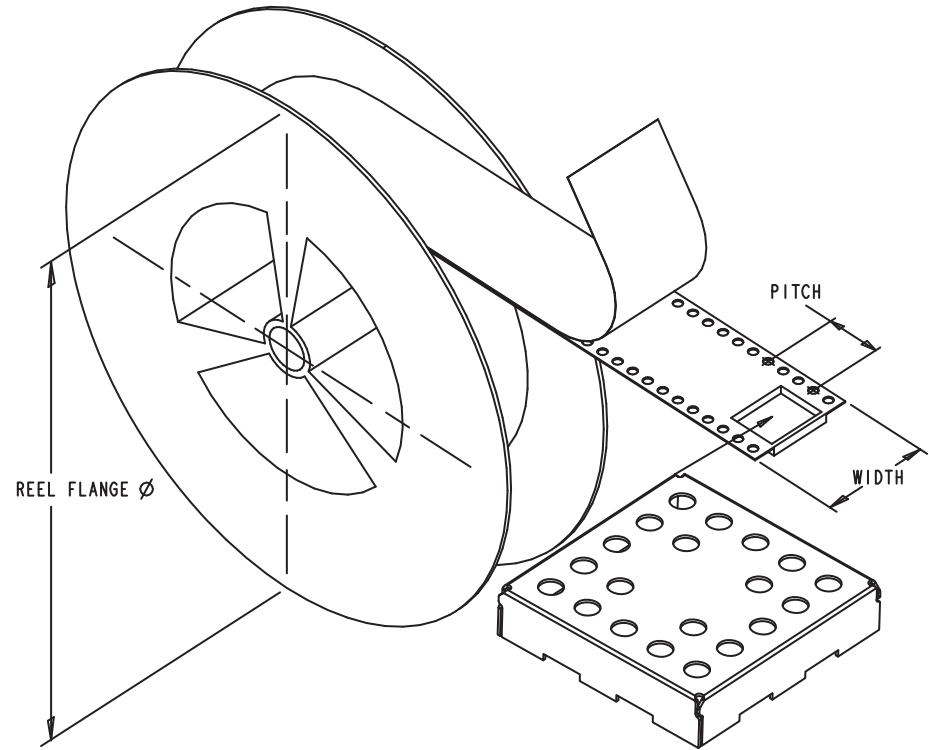
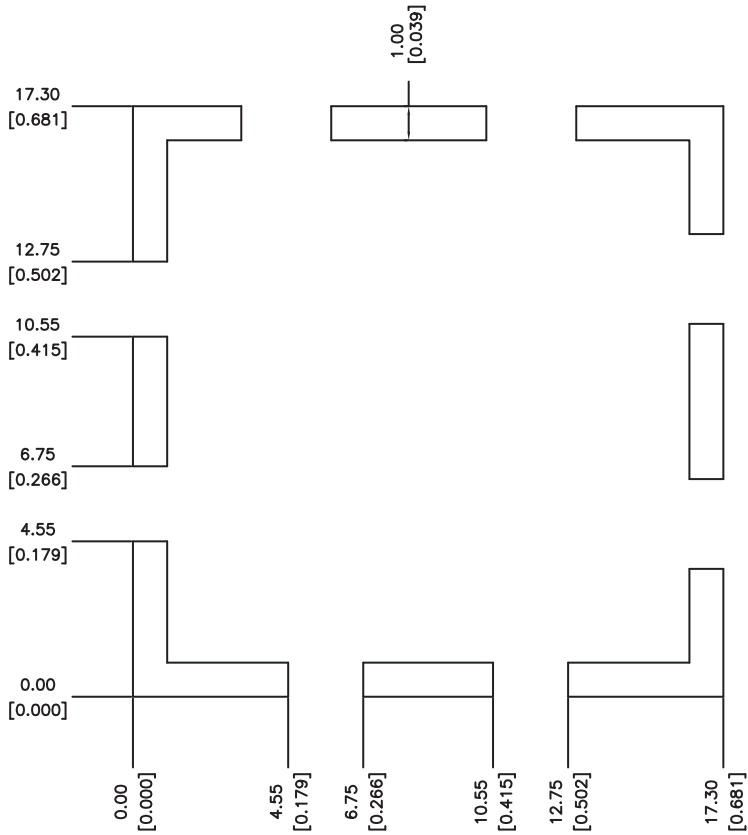


- NOTES:
- MATERIAL SPECIFICATIONS:
 - MATERIAL: THICKNESS = 0.20 [0.008] ±0.02 [0.0008] TYPE: COPPER ALLOY, C7521
 - TOLERANCE/APPEARANCE:
 - PARTS SHALL BE FREE OF SHARP EDGES. BURRS SHALL NOT EXCEED 10% OF MATERIAL
 - THICKNESS OR 0.15mm WHICHEVER IS LESS REFERENCE DIMENSIONS, SHOWN IN PARANTHESES (DIM), ARE WITHOUT
 - TOLERANCE AND ARE FOR INFORMATION PURPOSES ONLY. CRITICAL DIMENSIONS ARE DESIGNATED BY $\triangle X$ ALL RADII ARE TO BE R0.25 UNLESS OTHERWISE SPECIFIED.
 - PART SHALL BE FREE OF OIL OR GREASE
 - PACKAGING:
 - SEE SHEET 2 OF 2

Part No.: SP16-102	
Approved by: TSLee	
REV.: A	UNITS: mm/inch
DRAFTED BY ZhangXuan	Date: 2019.12.17



CARRIER TAPE WIDTH: 32 MM
 CARRIER TAPE PITCH: 24 MM
 REEL DIAMETER: 330 MM
 PARTS PER REEL: 700



ALL DIMENSIONS ARE IN MILLIMETERS

Part No.: SP16-102	
Approved by: TSLee	
REV.: A	UNITS: mm/inch
DRAFTED BY ZhangXuan	Date: 2019.12.17

