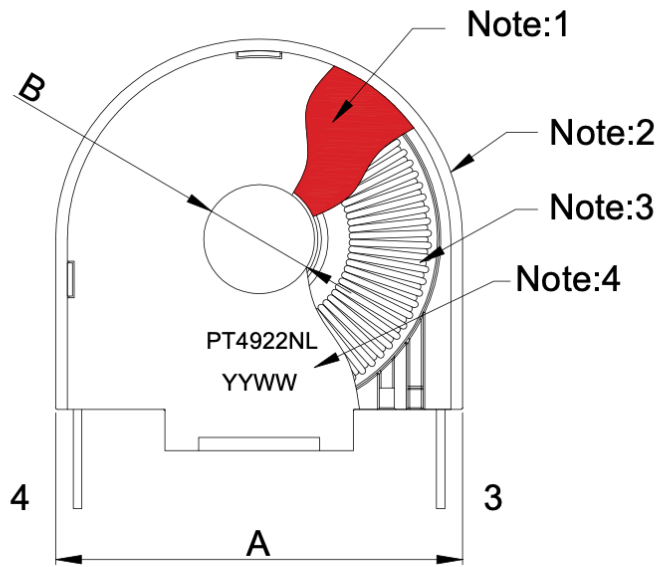
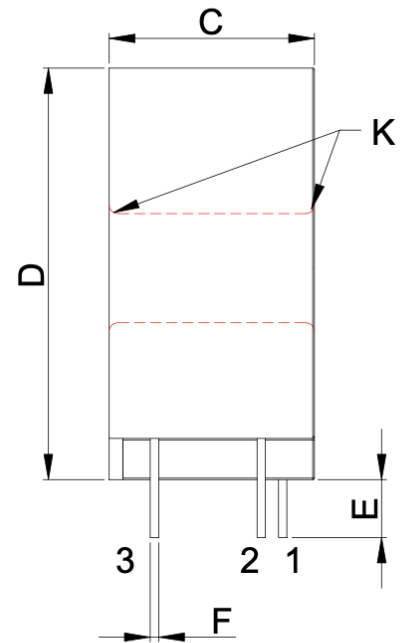


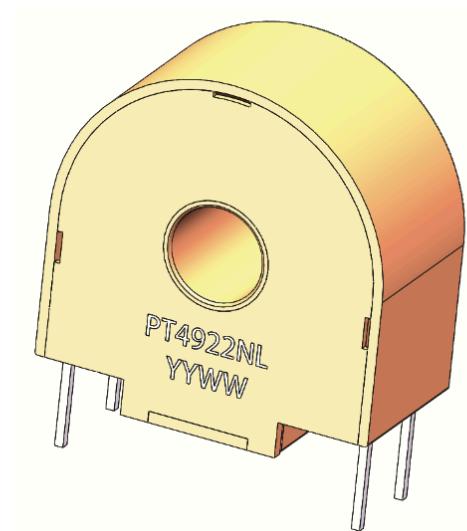
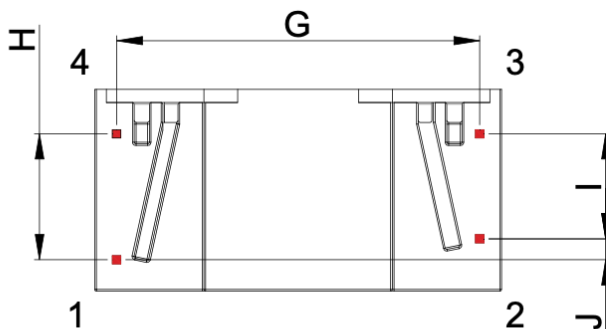
Dimensions: Front view



Side view



Bottom view



A	24.5 mm max	G	21.6 mm typ.	Notes:	
B	∅ 6.3 mm min	H	7.6 mm typ.	1	Complete potting
C	12.3 mm typ.	I	6.4 mm typ.	2	Housing
D	25.25 mm max	J	1.2 mm typ.	3	Nano-crystalline ribbon core
E	3.5mm ± 0.5	K	R 0.2 mm typ.	4	Ink marking
F	SQ0.5*0.5 ± 0.1 mm				



Drafted by: QingLiu

Dimensions:mm
Unless otherwise specified, all tolerances are ±0,25

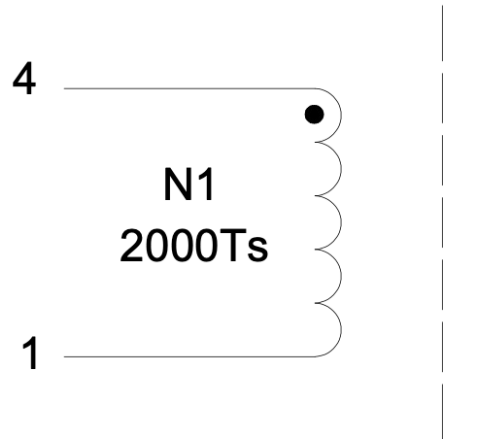
Current transformer
1:2000

Approved By: TSLee

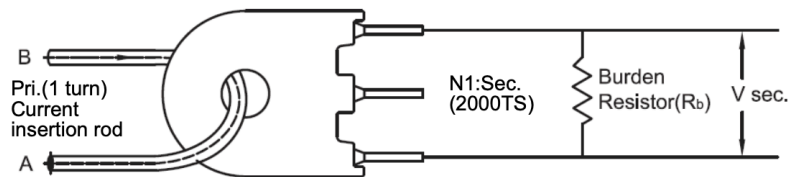
PT4922NL

REV.
A

Schematic diagram:



Volt-ampere testing circuit:



Layer	Terminal	Inductance	DC resistance	Volt-ampere
		50Hz, 0.23V	At 25°C, RH 65%±20%	$I_{pri.}=AC\ 6A/50Hz, R_b=100\Omega$
N1	4-1	77H min	132Ω max.	0.25V min

N1 to primary side AC 4000V, 50Hz, leakage current 5mA, time 2 seconds



Drafted by:QingLiu

Dimensions:mm
Unless otherwise specified, all tolerances are $\pm 0,25$

Current transformer
1:2000

Approved By: TSLee

PT4922NL

REV.

A

Page 2 of 2