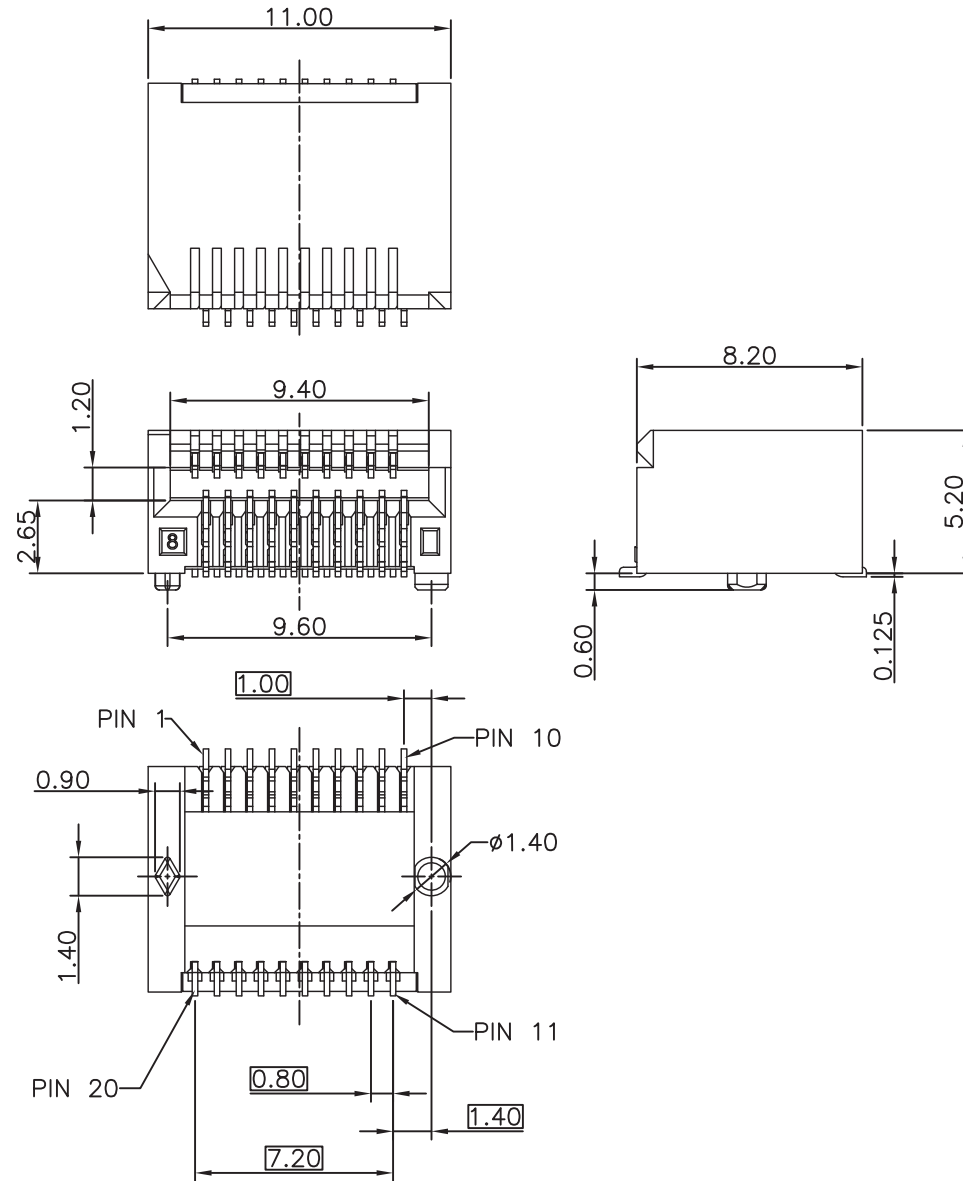

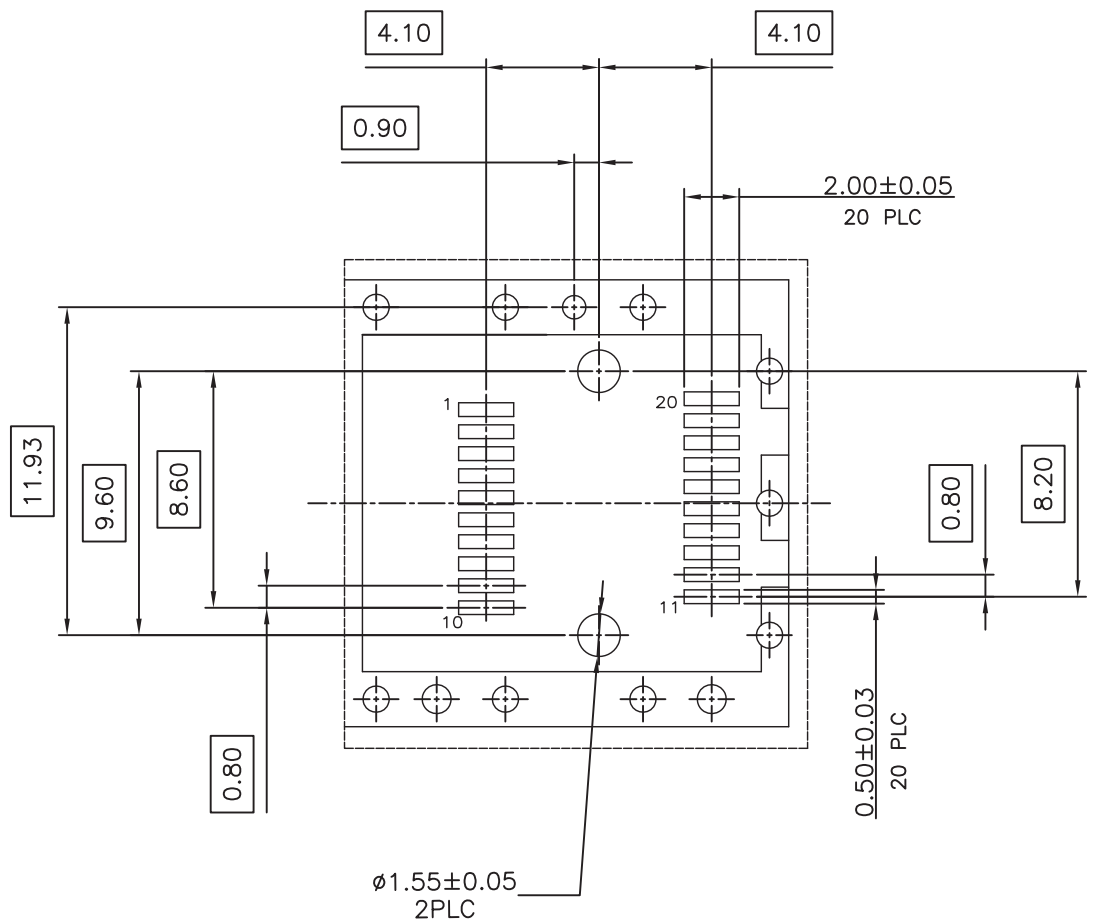


SPECIFICATIONS

- 1.MATERIAL
HOUSING: HIGH TEMPERATURE LCP, UL94 V-0.
- 2.CONTACTS: PHOSPHOR BRONZE
PLATING :15μ" GOLD ON MATING AREA,
100μ" MATTE TIN PLATING ON
SOLDER TAILS, 50μ" NICKEL
UNDERPLATING OVERALL.
- 3.PACKAGING: TAPE AND REEL
- 4.TEMPERATURE:
OPERATION : -40°C TO +85°C
STORAGE : -55°C TO +105°C



Tolerance: .xxx ± 0.10 .x ± 0.38 .xx ± 0.25 x ± 0.50		Part No.: PSC-012NL				
Design	XiaoMing	Revision	Quality	Proportion		
Check		A			Drawing No.:	
Draft	XiaoMing	Page	1	Total		3
Standard						
Approval	TSLee					



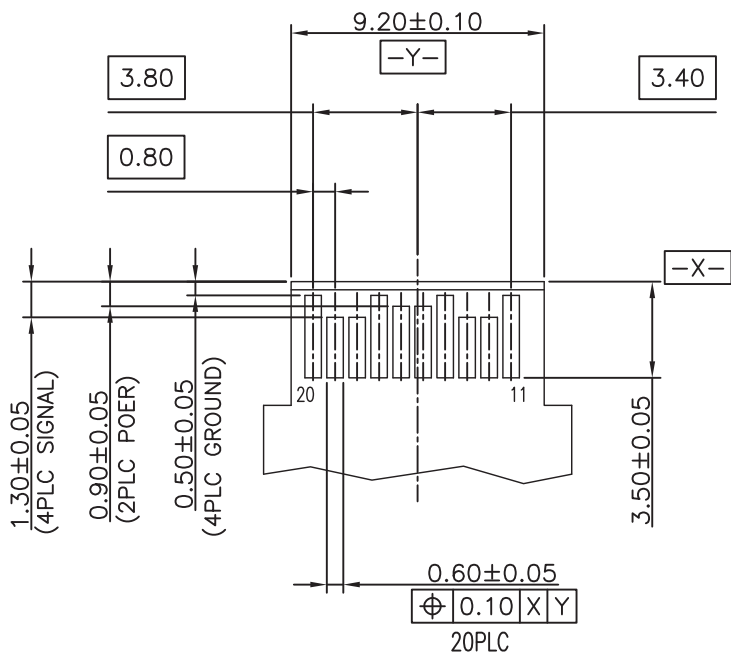
Tolerance:
 .xxx ± 0.10 .x ± 0.38
 .xx ± 0.25 x ± 0.50

Design	XiaoMing
Check	
Draft	XiaoMing
Standard	
Approval	TSLee

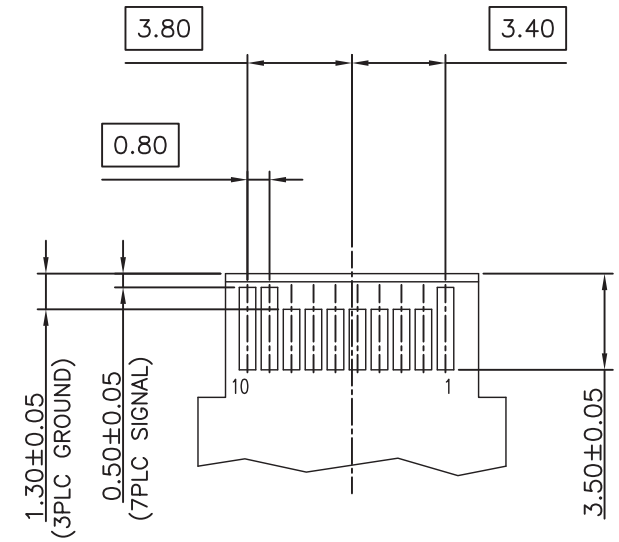
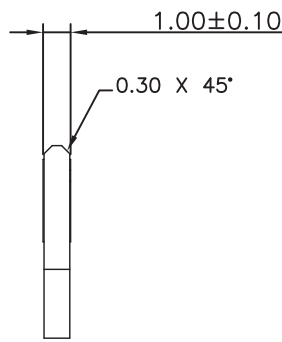
Part No.:		
PSC-012NL		
Revision	Quality	Proportion
A		
Page	2	Total 3

Technology & Value

Drawing No.:




TOP VIEW OF BOARD



BOTTOM VIEW OF BOARD

RECOMMENDED LAYOUT DETAIL MATING TRANSCEIVER PCB

Tolerance: .xxx ± 0.10 .x ± 0.38 .xx ± 0.25 x ± 0.50		Part No.: PSC-012NL				
Design	XiaoMing	Revision	Quality	Proportion		
Check		A			Drawing No.:	
Draft	XiaoMing	Page	3	Total		3
Standard						
Approval	TSLee					