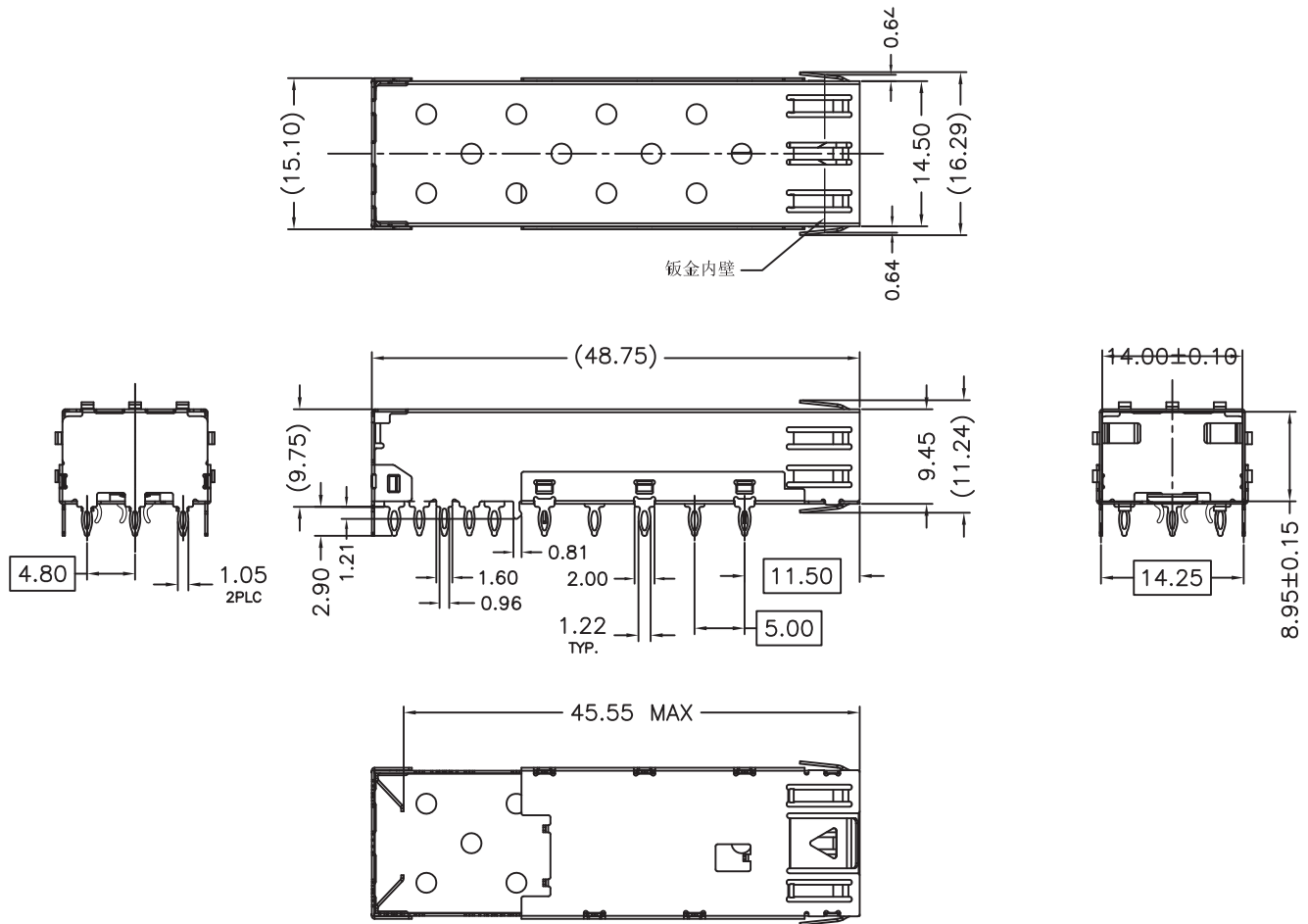


SCHEMATICS



NOTES:

- 1.MATERIAL: NICKEL SILVER, THICKNESS 0.25mm
- 2.PACKAGING: TRAY PACKAGING
- 3.TEMPERATURE RANGE: -55°C TO +85°C



Drafted by:ZhangXian

Dimensions:mm

Unless otherwise specified, all tolerances are ± 0.25

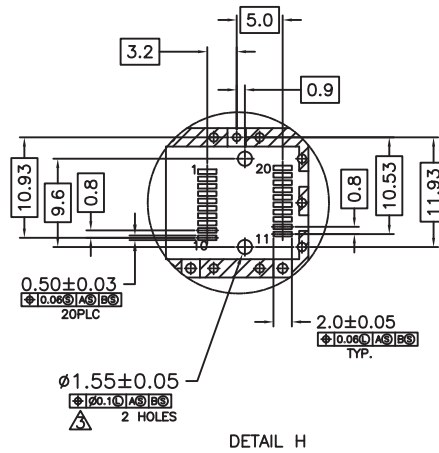
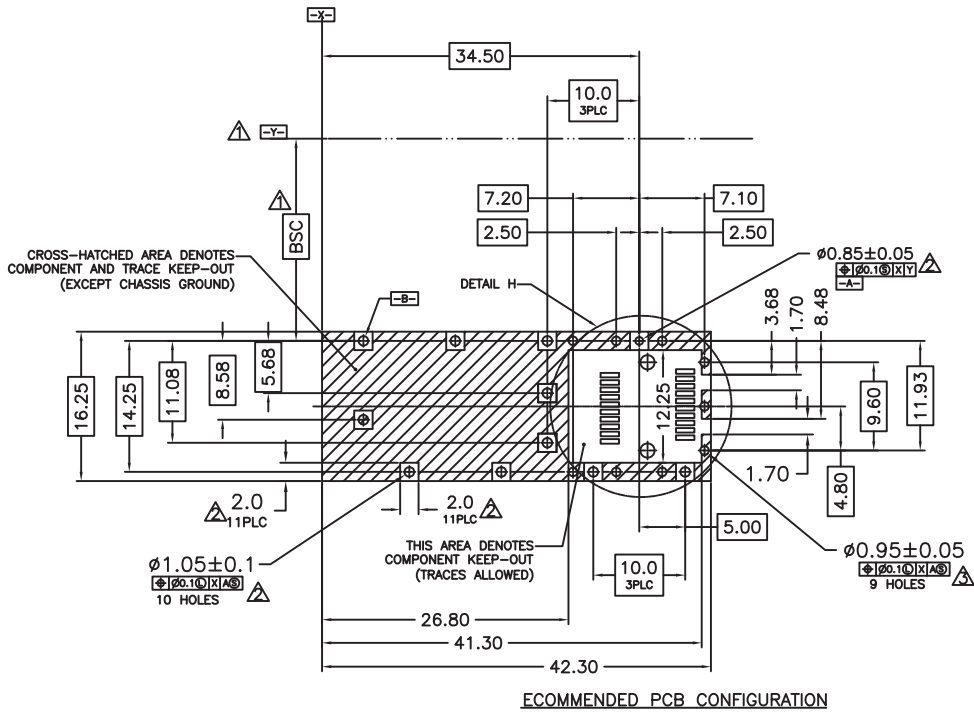
SFP+Cage 1x1 with grounding pin

Approved By: TSLEE

Part No:SFPP011PA

REV.
B

SHEET 1 OF 4



NOTES:

1. DATUM AND BASIC DIMENSIONS ESTABLISHED BY CUSTOMER
2. PADS AND VIAS ARE CHASSIS GROUND, 11 PLACES
3. THRU HOLES, PLATING OPTIONAL



Drafted by: ZhangXian

Dimensions:mm
Unless otherwise specified, all tolerances are ± 0,25

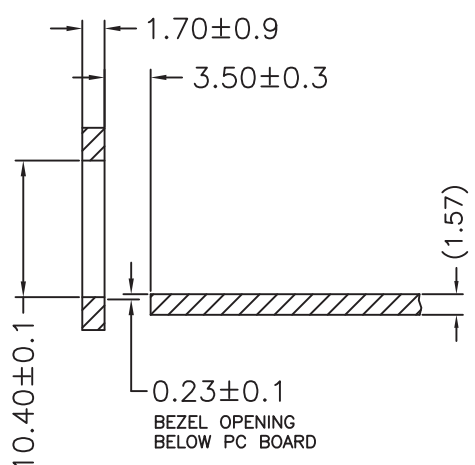
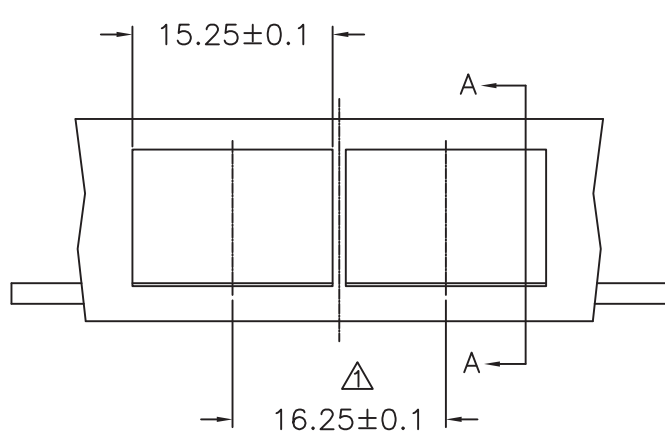
SFP+Cage 1x1 with grounding pin

Approved By: TSLEE

Part No:SFP011PA

REV.
B


SHEET 2 OF 4



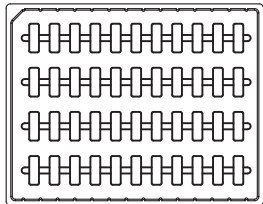
SECTION A-A

RECOMMENDED BEZEL DESIGN

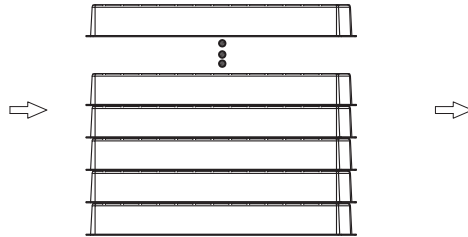
NOTES:
 ▲ MINIMUM PITCH ILLUSTRATED, ENGLISH DIMENSIONS ARE FOR REFERENCE ONLY

	Dimensions:mm Unless otherwise specified, all tolerances are $\pm 0,25$	Approved By: TSLEE	
	SFP+Cage 1x1 with grounding pin	Part No:SFPP011PA	REV. B
Drafted by:ZhangXian	SHEET 3 OF 4		

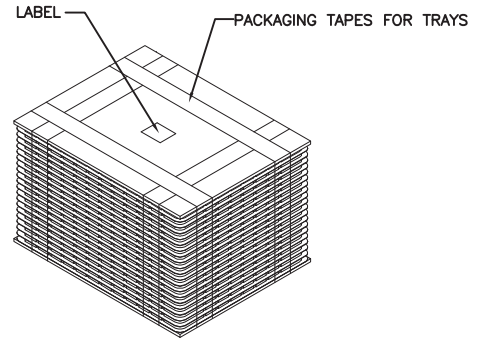
PACKAGE INFORMATION AND LABEL



1. PRODUCTS IN TRAYS

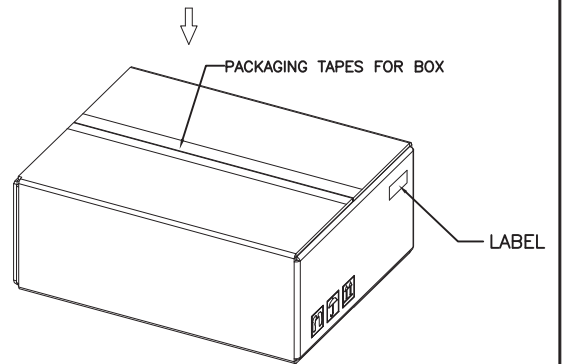


2. TRAYS OVERLAY:
(THE NEXT TRAY NEED ROTATE 180 DEGREE AND PUT IT ON PREVIOUS TRAY.)
(相邻两个吸塑向水平方向成180度摆放)



3. LABEL & PACKAGING TAPES FOR TRAYS:

PACKAGING LISTS	
ITEM	Q'TY
PRODUCT	352 PCS
TRAY	8 PCS
BOX(L340*W265*H200MM)	1 PCS
LABLE	2 PCS
PACKAGING TAPES	8 M (ABOUT)



4. LABEL & PACKAGING TAPES FOR BOX



Drafted by:ZhangXian

Dimensions:mm
Unless otherwise specified, all tolerances are $\pm 0,25$

SFP+Cage 1x1 with grounding pin

Approved By: TSLEE

Part No:SFPP011PA

REV.
B

SHEET 4 OF 4